



## ALUMINIUM ENTRANCE DOOR AT 200

- High quality aluminium door range with straight lined design and diverse sash variations
- 3 chamber aluminium frame profile, thermally broken with polyamide bars and foamed insulation core ( **$U_f$  value for frame and sash = 1.9 W/m<sup>2</sup>K**)
- 80 mm construction depth
- Triple gasket construction – in the door rebate area and the threshold area
- 3 chamber threshold, thermally broken through polyamid rails prevents thermal bridges and ice.
- High security through standard 5 point lock
- Three dimensionally adjustable door hinges
- Glazing and panels with 24, 30, 32, and 36 mm enable fitting of the whole range of Internorm glass and panels
- Thermally broken 3 chamber threshold with low fitting height (20 mm on top edge of finished floor surface) and floor profile
- Multitude of construction forms with sidelights and fanlights available
- Extensive range of designer elements for varying design possibilities



### Grey gaskets

Upon request the stopper gaskets as well as the glazing gaskets are available in grey.



### Sophisticated security

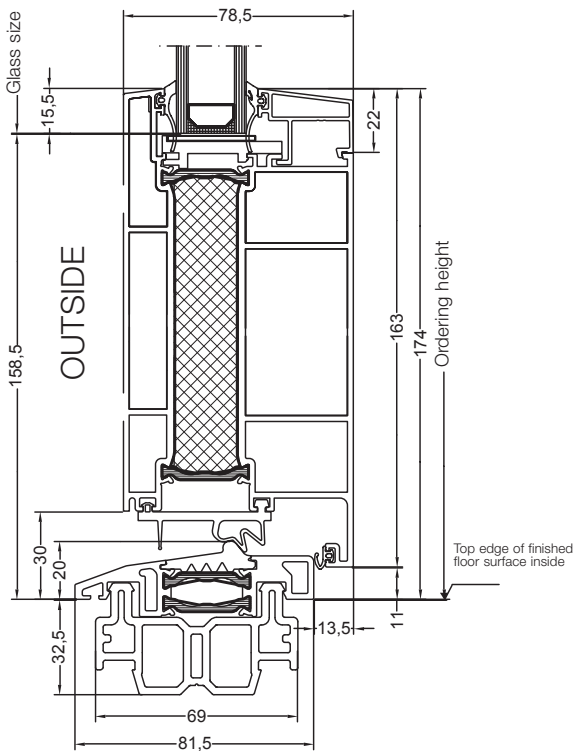
Standard 5 point lock - One main locking bar, two security bolts and two hook bolts make breaking in practically impossible.



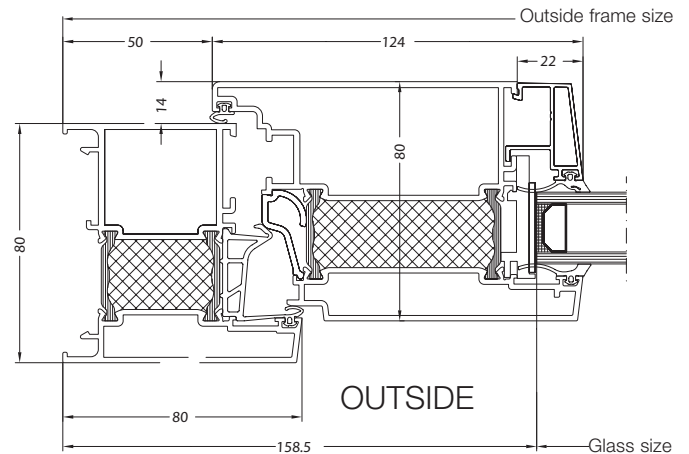
### Stainless steel designer base

Apart from the low stainless steel base, a profiled design variation is also available.

Vertical section (floor connection)



Horizontal section



### System description

Thermally broken aluminium system with fiber glass reinforced polyamid rails and foamed insulation core and inside aluminium profile.

- Construction depth of frame and sash profile 80 mm
- Triple gasket system with continuous hinge gasket and combined centre and outer gasket. In the floor area a high quality silicone tube seal is used
- Glazing thicknesses: 24, 30, 32 and 36 mm
- Fitting versions: wall cramp, rawlplug or screw fitting
- Apart from large selection of colours additionally two-colour profile version available (inside white, outside all RAL colours, 3 metallic decor and 4 timber decor colours)

### Quality assurance/monitoring

- In-house quality assurance system
- DIN EN ISO 9001-certified

### Designs

- Inward opening one sash stopper doors as well as door constructions with fixed elements or fanlights

### Raw materials

- Aluminium extrusion press profiles with powder-coated or anodised surface

### Hardware

- Three dimensionally adjustable turn hinges
- Multi lock with bolt-hook/bolt combination

### Heat insulation

- With standard glazing 1.1 an element  $U_w$  value of 1.6  $W/m^2K$  is achieved (according to test certificate)
- With frame and sash profile combination a  $U_f$  value of 1.9  $W/m^2K$  is achieved (according to test certificate)

### Sound insulation

- With standard glazing 4/16/4 a sound insulation value of 34 dB is achieved (according to test certificate)

### Warranty

- Please consult the Maintenance-Care-and-Warranties booklet for detailed information on the extensive Internorm warranties.

### Distribution, installation and service

- By authorised Internorm distribution partners

## Internorm Windows UK Ltd

Unit D, Colindale Business Park, 2-10 Carlisle Road, NW9 0HN, London UK,  
T +44 (0) 208 205 9991, F +44 (0) 208 905 8744,  
office@internorm.co.uk

[www.internorm.com](http://www.internorm.com)