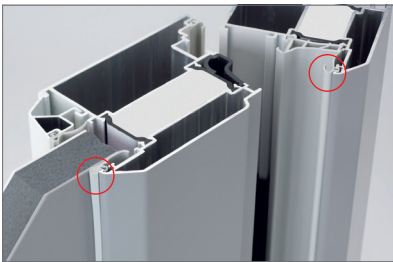




ALUMINIUM ENTRANCE DOOR AT 200



- High quality aluminium door range in profiled frame and sash design
- Door sash in rounded profile construction
- 3 chamber aluminium frame profile, thermally broken with polyamide bars and foamed insulation core (**U_f value for frame and sash = 1.9 W/m²K**)
- 80 mm construction depth
- Triple gasket construction – in the door rebate area and the threshold area
- 3 chamber threshold, thermally broken through polyamid rails prevents thermal bridges and ice
- Standard 5 point lock ensures high security
- Three dimensionally adjustable door hinges
- Glazing and panels with 24, 30, 32, and 36 mm enable fitting of the whole range of Internorm glass and panels
- Thermally broken 3 chamber threshold with low fitting height (20 mm on top edge of finished floor surface) and floor profile
- Multitude of construction forms with sidelights and fanlights available
- Extensive range of designer elements for varying design possibilities



Grey gaskets

Upon request the hinge gaskets as well as the glazing gaskets are available in grey.



Sophisticated security

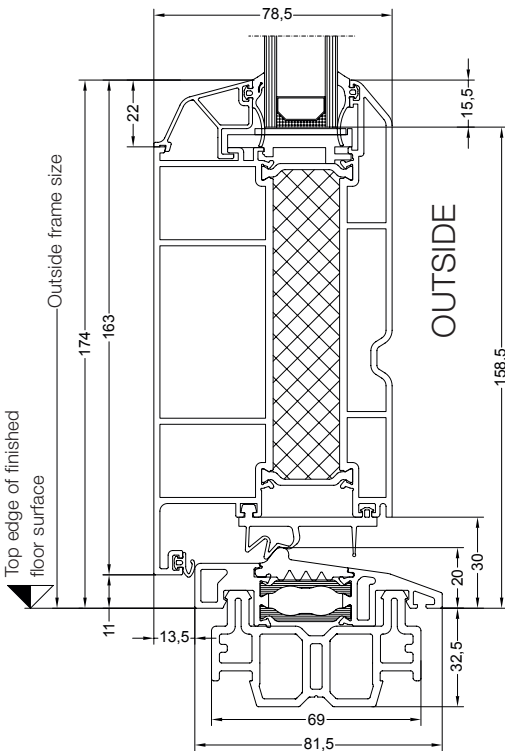
Standard 5 point lock - One main locking bar, two security bolts and two hook bolts make breaking in practically impossible.



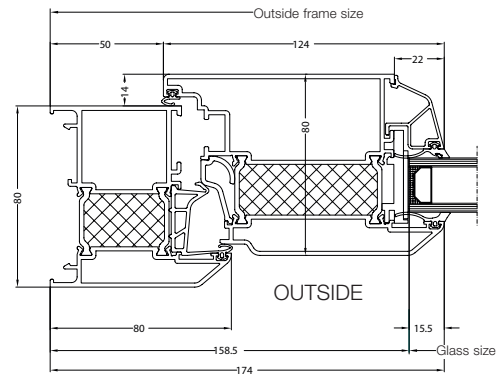
Stainless steel designer base

Apart from the low stainless steel base, a profiled design variation is also available.

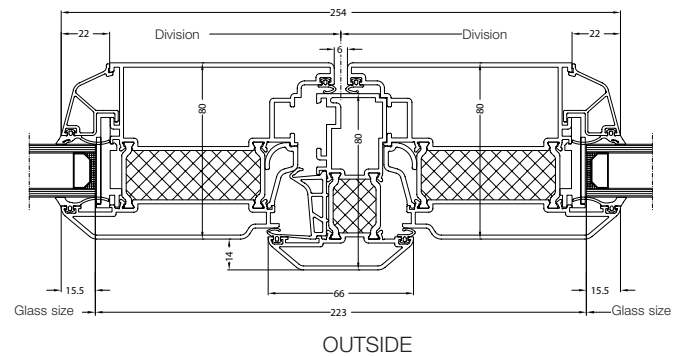
Vertical section (floor connection)



Horizontal section



Flying mullion section (2-flügelige Tür)



System description

Thermally broken aluminium system with fiber glass reinforced polyamid rails and foamed insulation core and inside aluminium profile.

- Construction depth of frame and sash profile 80 mm
- Triple gasket system with continuous hinge gasket and combined centre and outer gasket. In the floor area a high quality silicone tube seal is used
- Glazing thicknesses: 24, 30, 32 and 36 mm
- Fitting versions: wall cramp, rawlplug or screw fitting
- Apart from large selection of colours additionally two-colour profile version available (inside white, outside all RAL colours, 3 metallic decor and 4 timber decor colours)

Quality assurance/monitoring

- In-house quality assurance system
- DIN EN ISO 9001-certified

Designs

- Inward or outward opening stopper doors in 1- or 2-sash version as well as door constructions with fixed elements or fanlights

Raw materials

- Aluminium extrusion press profiles with powder-coated or anodised surface

Hardware

- Three dimensionally adjustable turn hinges
- Multi lock with bolt-swivel combination

Heat insulation

- With standard glazing 1.1 an element U_w value of 1.6 W/m^2K is achieved (according to test certificate)
- With frame and sash profile combination a U_f value of 1.9 W/m^2K is achieved (according to test certificate)

Sound insulation

- With standard glazing 4/16/4 a sound insulation value of 34 dB is achieved (according to test certificate)

Warranty

- Please consult the Maintenance-Care-and-Warranties booklet for detailed information on the extensive Internorm warranties.

Distribution, installation and service

- By authorised Internorm distribution partners

Internorm Windows UK Ltd

Unit D, Colindale Business Park, 2-10 Carlisle Road, NW9 0HN, London UK,
T +44 (0) 208 205 9991, F +44 (0) 208 905 8744,
office@internorm.co.uk