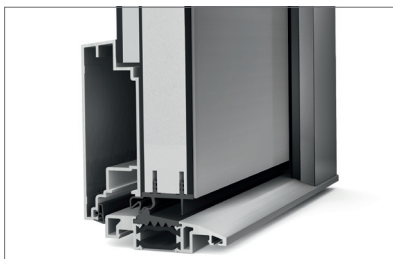




ALUMINIUM ENTRANCE DOOR AT 300

- High quality aluminium door range with straight lined design
- Plate construction outside with smooth sash and inside with profiled, square-edged sash
- Special, elegant door sash made of high-value triple laminate compact panel construction. Aluminium inserts/layers on the inside and outside ensure greatest stability and perfect heat insulation
- 3 chamber aluminium frame profile, thermally broken with polyamide bars and foamed insulation core
- 80 mm construction depth
- Special triple gasket construction with overlapping high-value, elastic silicone gaskets – hinge gaskets also in grey on request
- Outstanding thermal insulation using coated, gas filled triple glazing with 42 mm total thickness
- Thermally broken 3 chamber threshold with low fitting height (20 mm on top edge of finished floor surface) and floor profile
- Standard 5 point lock
- Three dimensionally adjustable door hinges
- Multitude of construction forms with sidelights and fanlights available
- Extensive range of designs possible
- Stainless steel designer base on request



Triple gasket system

The special triple gasket construction with overlapping high-quality elastic silicone gaskets ensures best energy efficiency.



Sophisticated security

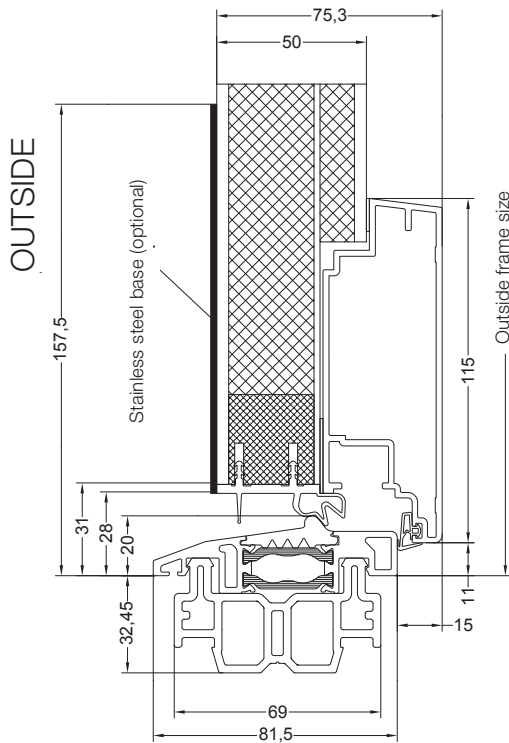
Standard 5 point lock - One main locking bar, two security bolts and two hook bolts make breaking in practically impossible.



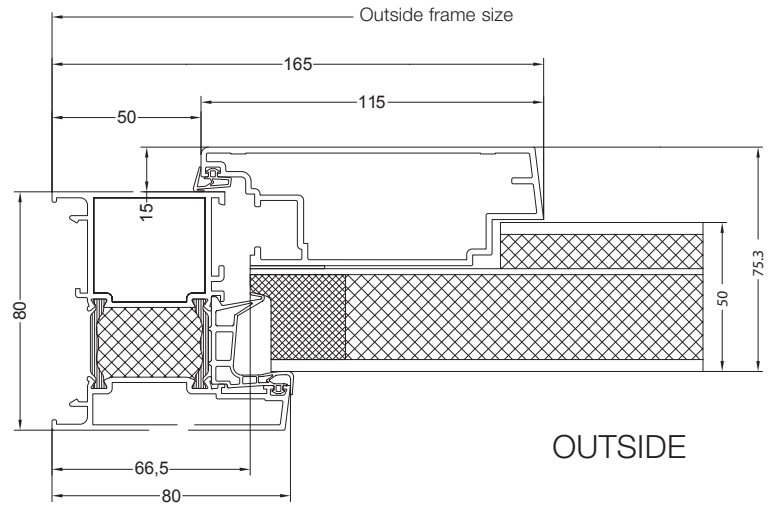
Stainless steel designer base

Apart from the low stainless steel base, a profiled design variation is also available.

Vertical section (floor connection)



Horizontal section



System description

Frames made of thermally broken aluminium profile with polyamide bars strengthened with fiber glass and a foam insulation core. The door sash is made of solid UPVC panels (3-layered construction with hard foam insulation) and aluminium profile on the inside.

- Frame construction depth 80 mm, sash construction depth 75 mm
- Triple gasket system with continuous hinge gasket and combined centre and outer gasket. In the floor area a high quality silicone tube seal is used
- Door sash glazing with coated, gas filled triple insulating glass (42 mm). Glazing for fixed parts available in 24, 32 or 36 mm insulating glass
- Fitting versions: wall cramp, rawlplug or screw fitting

Quality assurance/monitoring

- In-house quality assurance system
- DIN EN ISO 9001-certified

Designs

- Inward opening one sash stopper doors as well as door constructions with fixed elements or fanlights

Raw materials

- Aluminium extrusion press profiles with powder-coated surface
- Flat laminate with varnished surface, CFC free hard foam insulation

Hardware

- Three dimensionally adjustable turn hinges
- Multi lock with bolt-swivel combination

Heat insulation

According to test certificate (calculation according to EN 10077)

- For the frame – sash area (door sash): U_f value = 1.7 W/m²K
- For a door element without glass pane: U_D value = 1.0 W/m²K
- For a door element with glass pane (glazing 1.0): U_D value = 1.2 W/m²K

Sophisticated security

- 5 point lock - One main locking bar, two security bolts and two hook bolts make breaking in practically impossible

Warranty

- Please consult the Maintenance-Care-and-Warranties booklet for detailed information on the extensive Internorm warranties.

Distribution, installation and service

- By authorised Internorm distribution partners

Internorm Windows UK Ltd

Unit D, Colindale Business Park, 2-10 Carlisle Road, NW9 0HN, London UK,
T +44 (0) 208 205 9991, F +44 (0) 208 905 8744,
office@internorm.co.uk